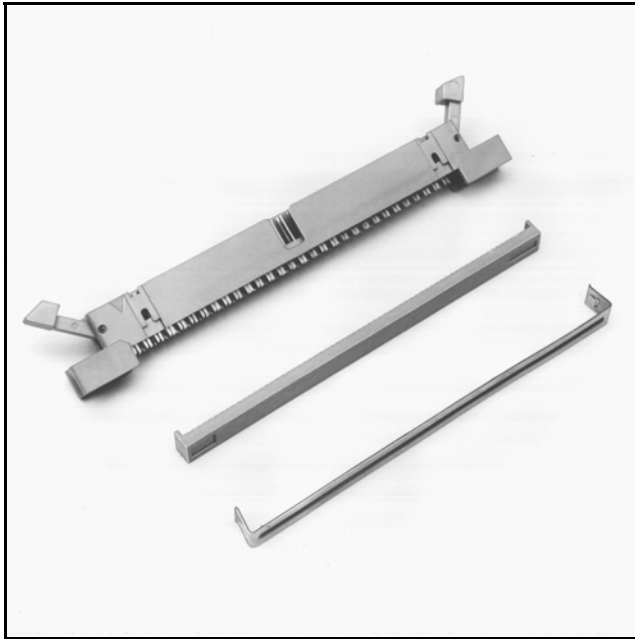


# 3M™ Wiremount Plug

.100" × .100" Connector For .050" Pitch Cable

4600 Series



- Shrouded to protect against physical and chemical pin damage
- Open or closed end covers available
- Optional ejector latches
- Accepts flat cable or discrete wire
- Military (with 3518 polarizing key) and centerbump polarization available
- Optional mounting flanges
- Optional metal strain relief
- RoHS\* compliant

Date Modified: January 10, 2007

TS-0086-16  
Sheet 1 of 4

---

## Physical

### Insulation

Material: Glass Filled Polyester (PBT)

Flammability: UL 94V-0

Color: Gray

### Contact

Material: Copper Alloy

### Plating:

Underplating and U-Slot: 100 μ" [ 2.54 μm ] Nickel

Wiping Area: 30 μ" [ 0.76 μm ] Gold

Wire Accommodation: 26 and 28 AWG Solid and Stranded

Marking: 3M Logo, Part Identification Number, and Contact Position Numbers

---

## Electrical

Current Rating: 1 A

Insulation Resistance:  $> 1 \times 10^9 \Omega$  at 500 V<sub>DC</sub>

Withstanding Voltage: 1000 V<sub>rms</sub> at Sea Level

---

## Environmental

Temperature Rating: -55°C to +105°C

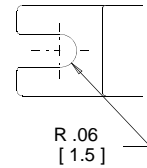
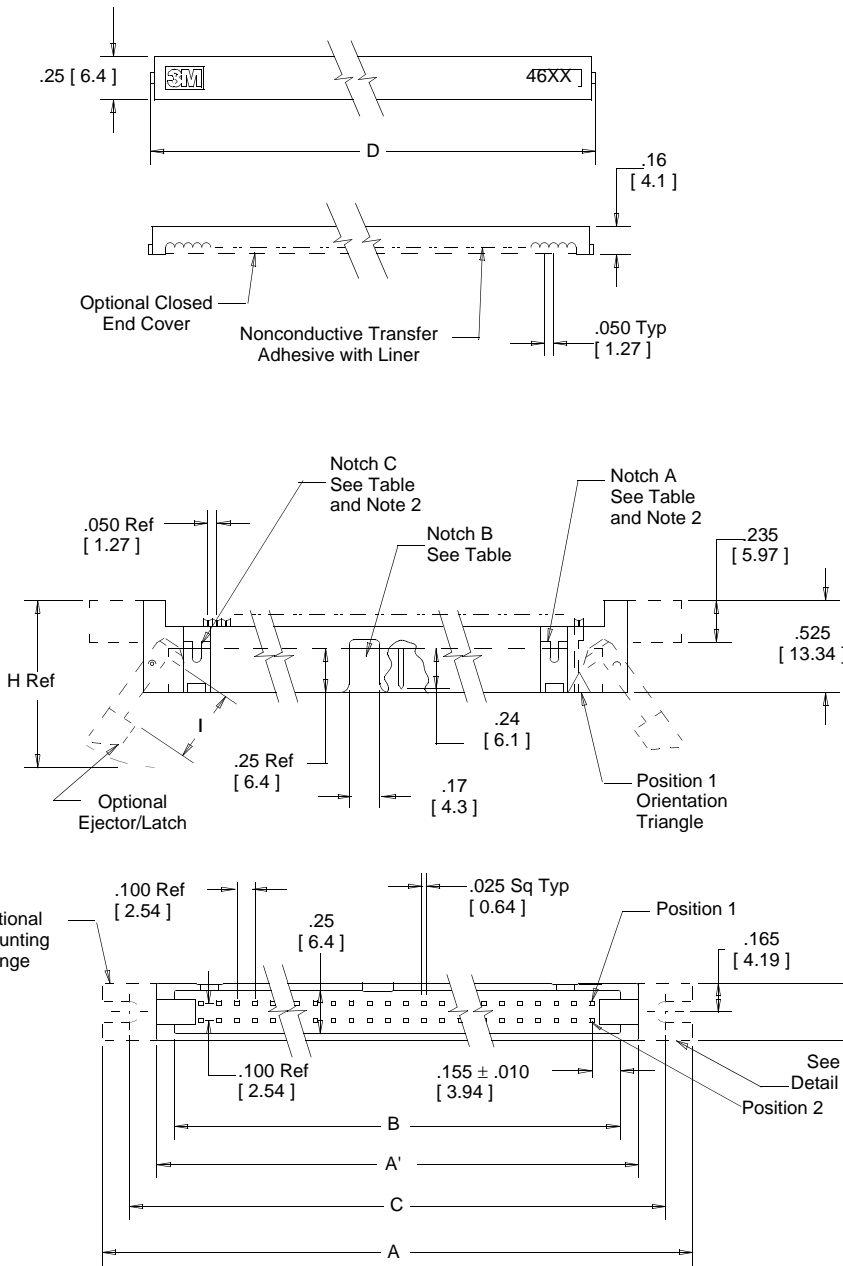
"RoHS compliant" means that the product or part does not contain any of the following substances in excess of the following maximum concentration values in any homogeneous material, unless the substance is in an application that is exempt under RoHS: (a) 0.1% (by weight) for lead, mercury, hexavalent chromium, polybrominated biphenyls or polybrominated diphenyl ethers; or (b) 0.01% (by weight) for cadmium. Unless otherwise stated by 3M in writing, this information represents 3M's knowledge and belief based upon information provided by third party suppliers to 3M.

UL File No.: E68080

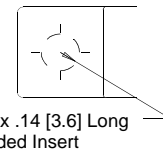
# 3M™ Wiremount Plug

.100" × .100" Connector For .050" Pitch Cable

4600 Series



**Slotted Mounting Flange**  
46XX-XXX0



**Threaded Mounting Flange**  
46XX-XXX5  
**Detail A**

Inch [mm]

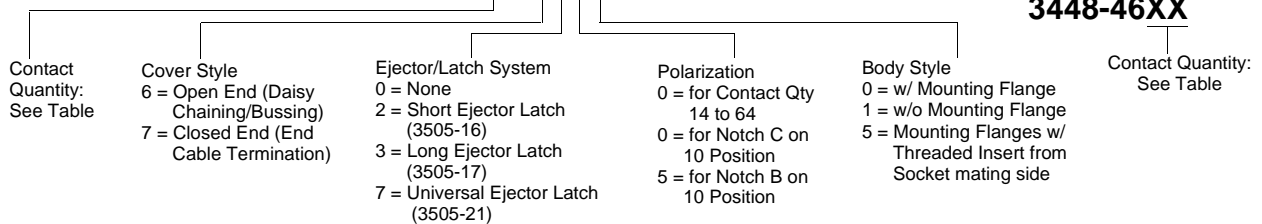
Tolerance Unless Noted			
	.0	.00	.000
inch	±.1	±.01	±.005

[ ] Dimensions for Reference Only



## Ordering Information

### 46XX-XXXX



**Strain Relief**  
(Order Separately)  
**3448-46XX**

Assembly tools: 3M™ Press, 3640 (or equivalent); 3M™ Locator Plate, 3443-96; 3M™ Platen, 3442-9

TS-0086-16  
Sheet 2 of 4

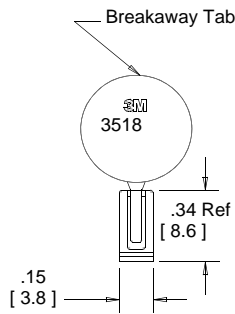
# 3M™ Wiremount Plug

.100" × .100" Connector For .050" Pitch Cable

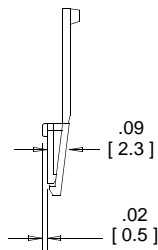
4600 Series

Table 1							
Contact Quantity	Dimensions						Polarizing Notches Provided
	A	A'	B	C	D	E	
10	1.50 [38.1]	0.90 [22.9]	0.71 [18.0]	1.20 [30.5]	0.77 [19.6]	0.85 [21.6]	B or C (See Note 1)
14	1.70 [43.2]	1.10 [27.9]	0.91 [23.1]	1.40 [35.6]	0.97 [24.6]	1.05 [26.7]	BC
16	1.80 [45.7]	1.20 [30.5]	1.01 [25.7]	1.50 [38.1]	1.07 [27.2]	1.15 [29.2]	ABC
20	2.00 [50.8]	1.40 [35.6]	1.21 [30.7]	1.70 [43.2]	1.27 [32.3]	1.35 [34.3]	ABC
24	2.20 [55.9]	1.60 [40.6]	1.41 [35.8]	1.90 [48.3]	1.47 [37.3]	1.55 [41.9]	ABC
26	2.30 [58.4]	1.70 [43.2]	1.51 [38.4]	2.00 [50.8]	1.57 [39.9]	1.65 [46.9]	ABC
30	2.50 [63.5]	1.90 [48.3]	1.71 [43.4]	2.20 [55.9]	1.77 [45.0]	1.85 [47.1]	ABC
34	2.70 [68.6]	2.10 [53.3]	1.91 [48.5]	2.40 [61.0]	1.97 [50.0]	2.05 [52.1]	ABC
36	2.80 [71.1]	2.20 [55.9]	2.01 [51.1]	2.50 [63.5]	2.07 [52.6]	2.15 [54.6]	ABC
40	3.00 [76.2]	2.40 [61.0]	2.21 [56.1]	2.70 [68.6]	2.27 [57.7]	2.35 [59.7]	ABC
50	3.50 [88.9]	2.90 [73.7]	2.71 [68.8]	3.20 [81.3]	2.77 [70.4]	2.85 [72.4]	ABC
60	4.00 [101.6]	3.40 [86.4]	3.21 [81.5]	3.70 [94.0]	3.27 [83.1]	3.35 [85.1]	ABC
64	4.20 [106.7]	3.60 [91.4]	3.41 [86.6]	3.90 [99.1]	3.47 [88.1]	3.55 [90.2]	ABC

Table 2					
Ejector/Latch Option	Part Number	Dimensions			
		F	G	H	I
Short	3505-16	.335 [8.51]	.726 [18.44]	0.92 [23.4]	.41 [10.4]
Long	3505-17	.484 [12.29]	.875 [22.23]	1.07 [27.2]	.56 [14.2]
Universal	3505-21	.484 [12.29]	.809 [20.55]	1.01 [25.65]	.56 [14.2]

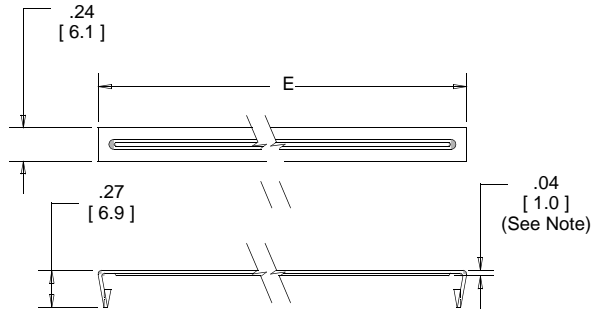


**3M Part No 3518**



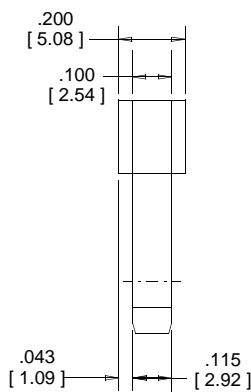
**Polarizing Key**  
(Order Separately)

Material: Gray Glass Filled Polyester

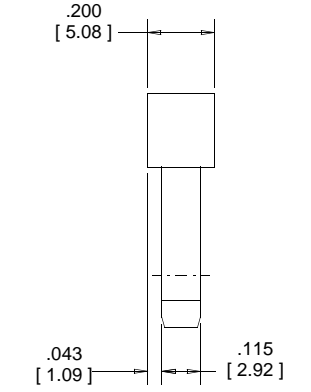


**Strain Relief**

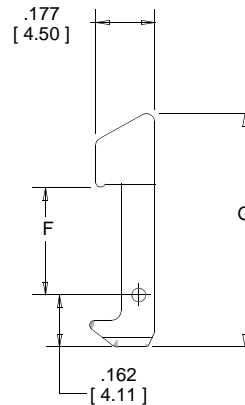
Material .012" [0.30] Thick  
Stainless Steel



**3505-21**



**3505-16**  
**3505-17**



Note:  
The distance from the strain relief to the connector is equal to .04 [1.0] plus the cable thickness.

TS-0086-16  
Sheet 3 of 4

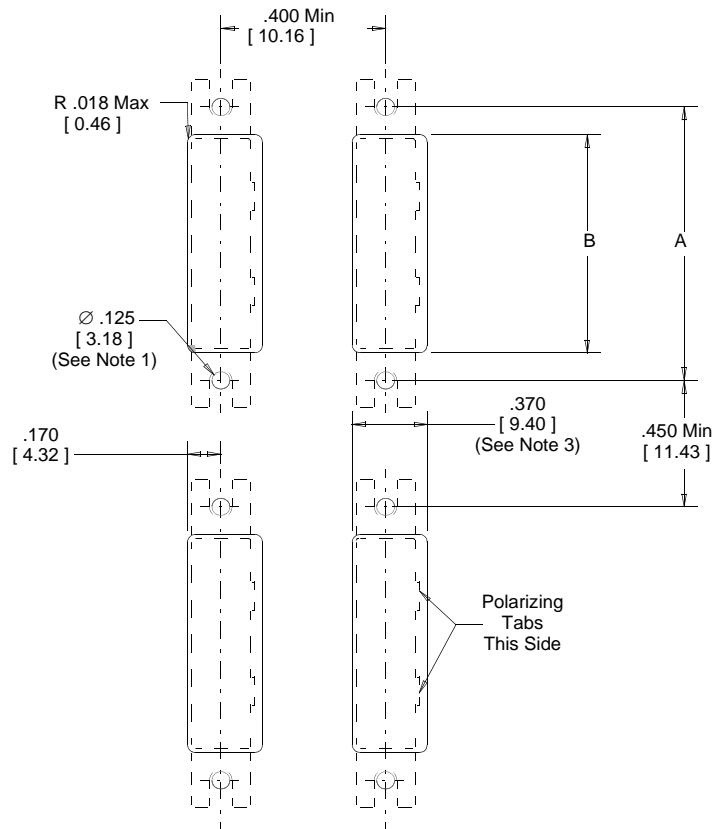
# 3M™ Wiremount Plug

.100" × .100" Connector For .050" Pitch Cable

4600 Series

Table 3

Contact Quantity	3M Part Number Series	Dimension A	Dimension B
10	<b>4610</b>	1.200 [ 30.48 ]	0.945 [ 24.00 ]
14	<b>4614</b>	1.400 [ 35.56 ]	1.145 [ 29.08 ]
16	<b>4616</b>	1.500 [ 38.10 ]	1.245 [ 31.62 ]
20	<b>4620</b>	1.700 [ 43.18 ]	1.445 [ 36.70 ]
24	<b>4624</b>	1.900 [ 48.26 ]	1.645 [ 41.78 ]
26	<b>4626</b>	2.000 [ 50.80 ]	1.745 [ 44.32 ]
30	<b>4630</b>	2.200 [ 55.88 ]	1.945 [ 49.40 ]
34	<b>4634</b>	2.400 [ 60.96 ]	2.145 [ 54.48 ]
36	<b>4636</b>	2.500 [ 63.50 ]	2.245 [ 57.02 ]
40	<b>4640</b>	2.700 [ 68.58 ]	2.445 [ 62.10 ]
50	<b>4650</b>	3.200 [ 81.28 ]	2.945 [ 74.80 ]
60	<b>4660</b>	3.700 [ 93.98 ]	3.445 [ 87.50 ]
64	<b>4664</b>	3.900 [ 99.06 ]	3.645 [ 92.58 ]



Rear Mount Panel Cutout

Notes:

1. Accepts #4 pan head machine screw.
2. For a rear mount plug connector with Ejector/Latches the recommended maximum panel thickness is .125 [ 3.18 ].
3. Without polarizing tabs .340 [ 8.64 ].

TS-0086-16  
Sheet 4 of 4

## Important Notice

All statements, technical information, and recommendations related to 3M's products are based on information believed to be reliable, but the accuracy or completeness is not guaranteed. Before using this product, you must evaluate it and determine if it is suitable for your intended application. You assume all risks and liability associated with such use. Any statements related to the product which are not contained in 3M's current publications, or any contrary statements contained on your purchase order shall have no force or effect unless expressly agreed upon, in writing, by an authorized officer of 3M.



### 3M Electronics

6801 River Place Blvd.  
Austin, TX 78726-9000  
800/225-5373  
[www.3M.com/electronics](http://www.3M.com/electronics)

## Warranty; Limited Remedy; Limited Liability.

This product will be free from defects in material and manufacture for a period of one (1) year from the time of purchase. **3M MAKES NO OTHER WARRANTIES INCLUDING, BUT NOT LIMITED TO, ANY IMPLIED WARRANTY OF MERCHANTABILITY OR FITNESS FOR A PARTICULAR PURPOSE.** If this product is defective within the warranty period stated above, your exclusive remedy shall be, at 3M's option, to replace or repair the 3M product or refund the purchase price of the 3M product. **Except where prohibited by law, 3M will not be liable for any indirect, special, incidental or consequential loss or damage arising from this 3M product, regardless of the legal theory asserted.**



Minimum 10%  
Post-Consumer Fiber

Printed in USA.

© 3M 2007